



HIGHPACK



HSY-VMP5632

Automatic Vertical Form Packing Machine

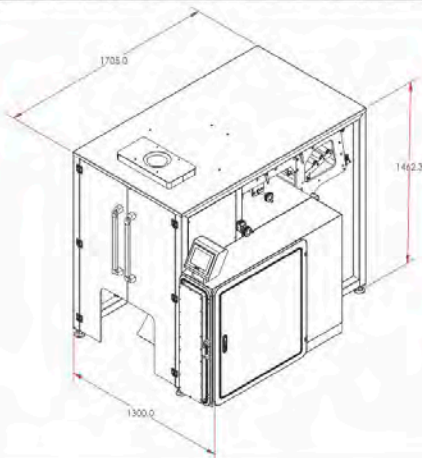
Standard Features

- PLC (Mitsubishi) control with stable, reliable, high accuracy output and color touch screen, bag-making, measure, filling, printing, cutting finished in one operation
- 8 product presets (article memory locations)
- Friction drive film transport belts
- Reserve level switch signal to product auto loading motor pump
- Belt driving by the servo motor to enables resistant, uniform, well-proportioned seals and give great operating flexibility
- Pneumatic Cylinder Drive on Horizontal sealing jaws. Suitable for a variety packaging materials
- Extremely simple and easy to learn programming software. Horizontal jaw obstruction detection, incorporating instantaneous machine stoppage
- Fully interlock guarding system, film reel run-out device
- Fully synchronization for printers, labelers and feed systems

Automatic Vertical Form Packing Machine

Technical Specification

Model	HSY-VMP5632
Material (Structure)	Stainless Steel 304
Packing Speed	20 - 70 Bags/min (speed is depend on material used and product characteristic)
Volume / Bag (Max)	2000g (depend on product's weight)
Film Width (Max)	560mm
Packing Size (Max)	Width 245mm x Length 320mm (Custom Made Available)
Driver Motor & Invertor	1 Hp
Power	4.0kw, 230v, 1 Phase
Air Consumption	0.6Mpa 300L/min
Type of Seal	Pillow/Centre Seal
Packaging Material	Aluminium Foil+Pe, Opp+Pe, Opp/Cpp, Paper+Pe Film & other Special Heat Sealable Film.
Machine Dimension	W 1200 x L 1430 x H 1700mm
Machine Weight	680kg



HIGHPACK

No. 4873, Jalan Permatang Pauh, Kawasan Perindustrian Mak Mandin, 13400 Butterworth, Pulau Pinang, Malaysia.

Tel: 604-324 2396 Fax: 604-333 2396 Email: highpack@highpack.com.my Website: www.highpack.com.my